



Humma UV35-25

LOAD CHARTS

Revision 13



Contains the following load charts:

- Main winch (Standard & Stationary)
- Sliding hook 1 & 2
- Rhino hook
- Fly-jib



CAUTION

IMPROPER CRANE USE, MAINTENANCE OR OPERATION CAN CAUSE INJURY, DEATH OR PROPERTY DAMAGE.

DO NOT OPERATE THIS MACHINE UNLESS YOU HAVE READ AND UNDERSTOOD THE OPERATOR'S MANUAL AND LOAD CHARTS.

! DANGER

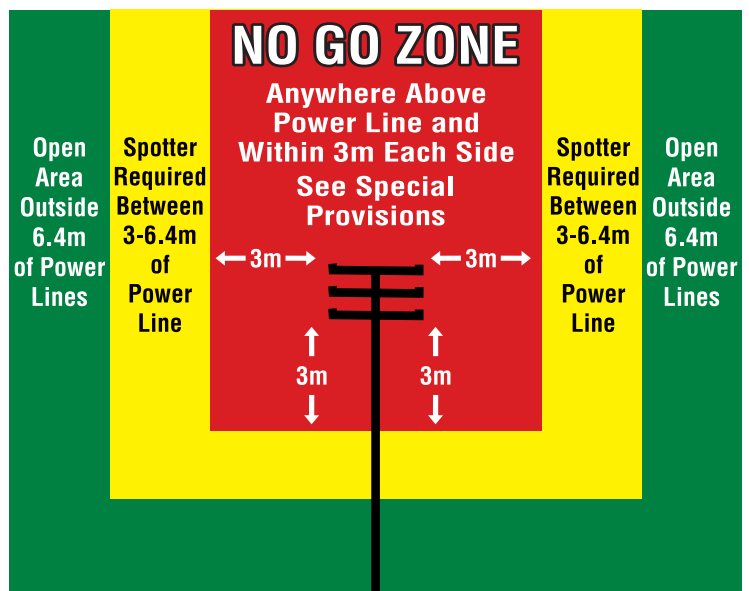
Clearance for Operating Equipment Near Power Lines

Special Provisions

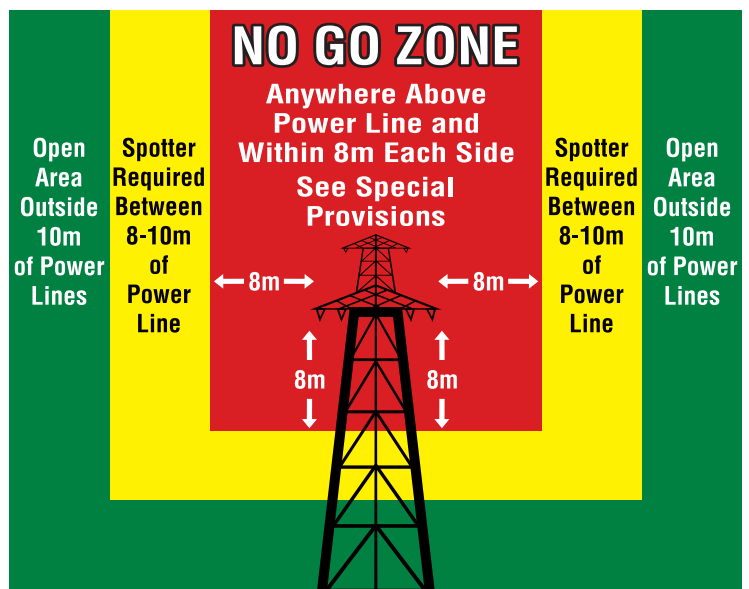
1. Ensure "Spotter" is provided.
2. Notify the Power Company when planning the work.
3. Obtain written permission from the Power Company.
4. DO NOT commence work until a pre-start site / job meeting and risk assessment have been completed.

The term "Spotter" is defined as a Safety Observer who is a person competent for the sole task of observing and warning against unsafe approach to overhead power lines and other electrical apparatus.

Overhead Power Lines on Poles



Overhead Power Lines on Towers





ARTICULATED CRANE HAZARDS AND PRECAUTIONS

1. Never stand within pivot area when the engine is running or emergency steering is operating. Crushing hazard exists which may cause injury or death. Remove key from ignition and isolate crane when working in this area.
2. Do not leave crane key in on position with the engine stopped and park brake off. Emergency steering pump will activate.
3. Rated capacities shown are applicable only when instructions are rigidly followed and no modifications are done to the machine.
4. Improper maintenance and operation can cause serious injury, death and property damage. Compliance to the operation and maintenance manual is required.
5. Reduction in lifting capabilities of the crane for each individual job must be established by the operator. Conditions include but are not limited to side slopes, soft and or uneven ground, load swing (lateral and axial), proximity to overhead wires, experience of personnel, multiple crane lifts, tyre deflection, adverse weather.
6. Rated capacities are based on freely suspended loads with the machine on firm level uniform ground (max 1deg side slope).
7. Loads should never be dragged along the ground, nor should loads be pushed with the boom. Serious damage to the booms and internals may occur.
8. Rated capacities shown include weight of rigging equipment and hook blocks. These weights must be removed to calculate load that can be lifted.
9. Areas within the red line are limited by the structural capacity of the crane. Outside areas are limited by the stability of the crane.
10. Loaded boom angles give only an approximation of operating radius. They do not take into account boom deflection. A larger boom angle should be used to account for deflection.
11. Side loads and load swing may cause structural failure or machine tip over. These may be generated by but not limited to unlevel lifting, sudden crane movements, wind forces.
12. Do not allow the winch to fully unwind. 2 wraps of rope must be kept on the drum at all times. Take note of rope limits per fall on the range chart. Rope will not touch the ground outside these areas.
13. Tyres must be inflated to required pressures and have no signs of damage.
14. Pick and carry operations are limited to 1.44 km/h.
15. Rated capacity decreases past 10degrees in articulation. Operator needs to take this into account before mobiling with load.

UV35-25 MOBILE CRANE

Quick start guide

Before attempting to start the engine ensure that battery isolation switch is turned on. Switch can be found in battery box on the drivers side of the crane, rear of articulation joint.

The UV35-25 Mobile Crane is fitted with a neutral start safety switch. It is necessary to have the Electronic Gear Selector (EGS) in neutral before starting the engine, if the EGS is not in neutral the engine will not start.

The ignition switch is mounted to the right of the instrument panel. To start the engine, insert the ignition key, and turn the key clockwise 1 click. The fuel pump will start to prime and the engine diagnostics lights above the key switch will light up in series. Wait until the fuel pump stops priming and ensure both the engine diagnostic lights are off. Turn key clockwise, when the engine fires, release the key. If the engine does not start, wait until the starter motor stops turning before trying again.

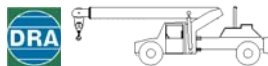
Make sure that the crane has sufficient air pressure before attempting to drive the UV35-25. If there is not sufficient air pressure the brakes will be inadequate and you may not be able to disengage the park brake. The low air light will come on and there will be an audible alarm until sufficient brake air pressure is met. Once sufficient air pressure has been acquired the alarm will stop and the light will turn off. A brake protection valve operates to ensure brakes have priority to the air supply under 90psi. Once air pressure reaches 90psi air controls (ie seat, airbags, horn ect etc) will be active. Governed pressure is approx 120psi.

To select gears with the EGS you simply press D for forward and R for reverse. Never attempt to change vehicle direction when the vehicle is moving. Never switch directly from D to R or vice versa. Ensure the vehicle is stationary and put into N first.

To swap between high and low range the vehicle must be stationary in Neutral gear and have the park brake applied. The controls will not work unless the park brake is applied.

Before moving off, make sure that the park brake has been disengaged and that the holding brake is also disengaged. Controls on lower right dash.

When driving on the road or with no load, the airbags should be inflated to increase the comfort of the ride. **When lifting a load the airbags must be dumped or else the air bags will be permanently damaged.** When the air bags are dumped the LMI switches on and the lock out pins engage. **Make**



sure the 2 lock out indicator lights come on before lifting any loads and ensure the crane is on flat level ground BEFORE dumping the airbags.

Motion cuts are installed on the crane and lock out crane operations (apart from winch down and boom telescope in) when in travel mode (air bags inflated) or when the LMI goes into an overload situation.

To use the crane for lifting mode the operator must select low range and also dump the airbags. If the LMI does not switch on then the operator must engage D on the shift selector and then N to ensure correct full throw on the transfer case air shift.

CAUTION:

1. Ensure that sufficient training by a competent person has taken place before operating this machine.
2. Operators must hold the correct licence to operate this machine.
3. Ensure that airbags are completely dumped with lock out pins engaged before lifting any loads.
4. Only dump airbags when stationery and on flat level ground unarticulated.
5. 4WD & Diff lock must only be used off road in soft terrain. Do not use on hard surfaces.
6. Motion cut overrides must not be used when or for lifting loads. They are only to be used for adjusting the boom and winch when in travel mode.
7. Do not continue to use the crane if the Transmission / Engine Warning/Diagnostics lights are illuminated.

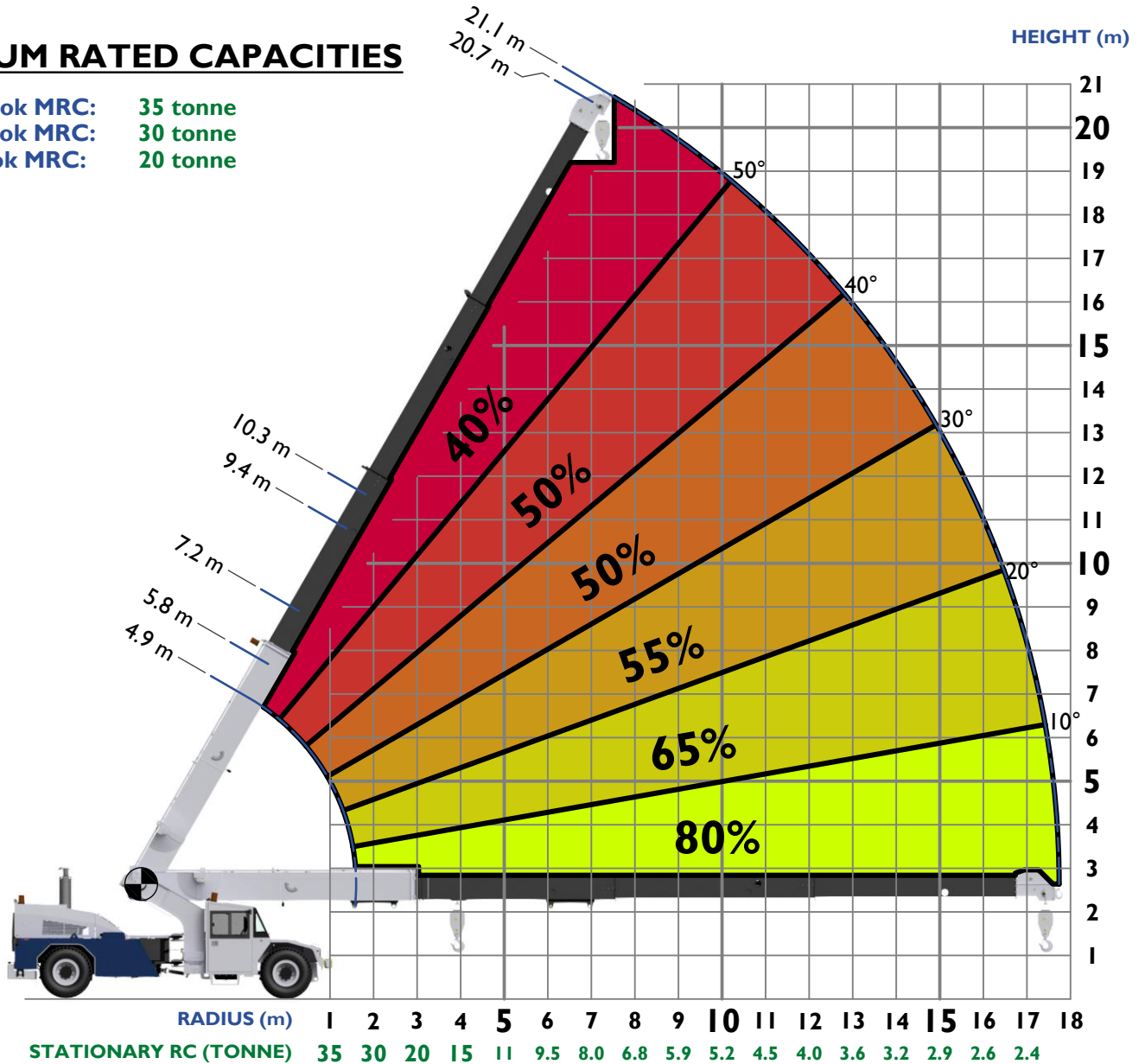
Failure to adhere to these rules can result in serious damage to the crane and can endanger the crane operator.

35T MOBILE CRANE

SIDESLOPE DERATE CHART 253-11

MAXIMUM RATED CAPACITIES

Sliding Hook MRC: 35 tonne
 Winch Hook MRC: 30 tonne
 Rhino Hook MRC: 20 tonne



OPERATOR MUST FOLLOW SIDE SLOPE OPERATION INSTRUCTIONS

1. PERCENTAGE DERATION CHART BASED ON 66.6% OF STABILITY AS PER ASI418.5, WITH THE CRANE ON A FIRM SIDE SLOPE OF 5 DEGREES (8.75% GRADIENT)
2. PERCENTAGE DERATION IS APPLIED TO THE RATED CAPACITY READ FROM THE APPROPRIATE LOAD CHART

$$\text{MRC (AT 5° SIDESLOPE)} = \frac{\text{DERATE \%}}{100 \%} \times \text{MRC (FROM LOAD CHART)}$$

OPERATION ON THE SIDE SLOPES

Mobile cranes are primarily designed to be used on firm, flat, level ground (to within 1% gradient), according to AS 1418.5, any deviation from this requires that the Rated Capacity shall be reduced accordingly. As per AS 2550.5 negotiation of slopes by mobile crane travelling with suspended loads should be avoided. The following precaution should be taken when operation on side slopes of up to 5° (8.75% gradient) - **REMEMBER** surface depressions and potholes will create the same effect as side slope.

- Ensure the tyres are correctly **INFLATED** as per inflation chart.
- Ensure the ground condition is consistent and **FIRM** enough to support the axle loads.
- When planning a lift, **REDUCE** the rated capacity of the crane to the percentage value for the crane as shown in chart 253-11 for operation on side slopes up to 5° (8.75% gradient). The LMI will automatically derate as per the chart.
- Use the crane's side slope inclinometer as a guide only, it is most accurate when the crane's articulation is straight ahead without suspending a load. All cranes with articulating chassis' will show some degree of side tilt, when articulated with a load - this should not be confused with the ground's side slope.
- Use the **MINIMUM** boom length and boom angle practical to keep the boom tip as close to the ground as possible.
- Keep the load as **CLOSE** to the ground as possible.
- Use the **MINIMUM** articulation angle practical - **REMEMBER** the crane will side tilt and hence the hook will move toward the direction of the articulation whilst steering.
- Keep the load on the **UPHILL** of the crane where possible, especially when articulated - **REMEMBER** the working radius will increase if the load is suspended in the downhill position.
- Load swing greatly reduces stability - **REMEMBER** to tagline load to prevent pendulum motion of the load. Travel and crane motions should be applied gently to minimise this effect.
- The loads weight should be checked first by test lifting with the crane straight ahead. Side slope lifting is outside the capabilities of the LMI.

REMEMBER: It is up to the operator to assess the situation and crane position.

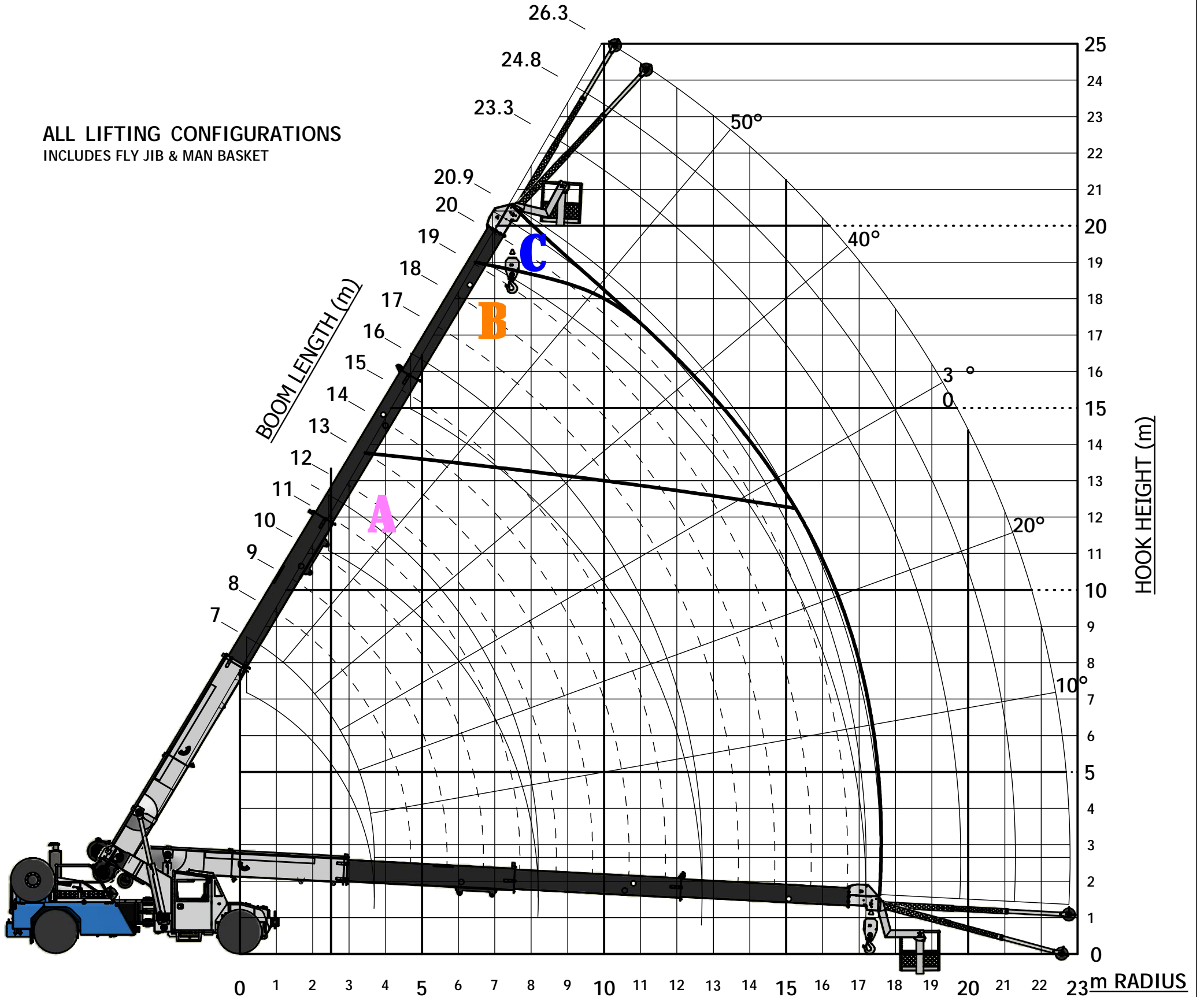
Side slope deration should only be used as a last resort if no other crane positions are available



UV35-25 MOBILE CRANE

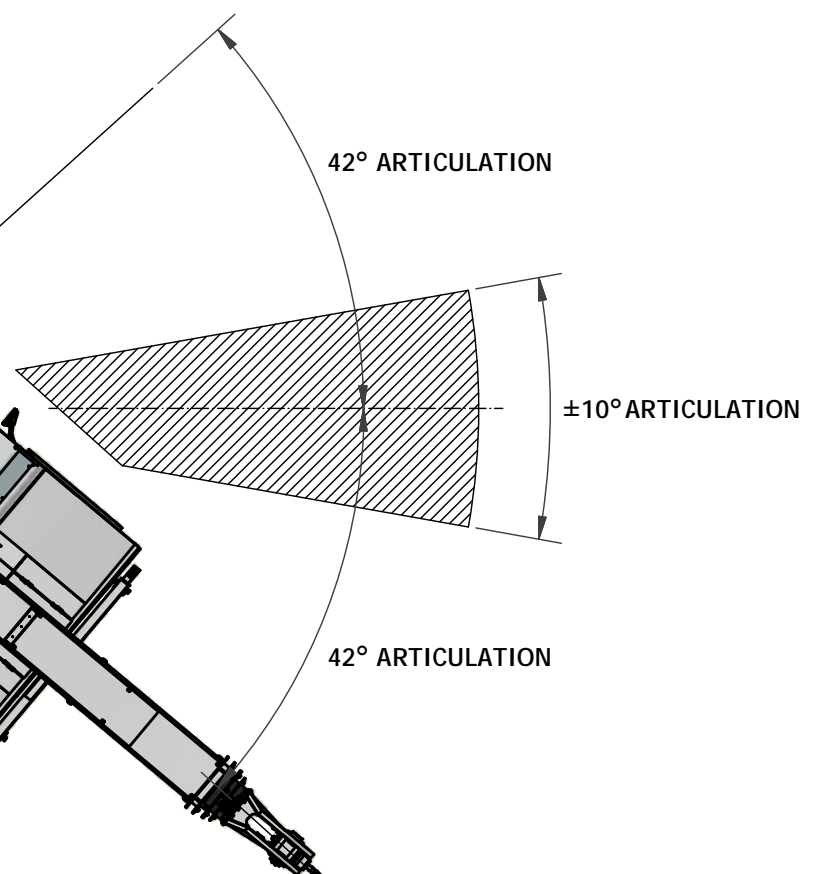
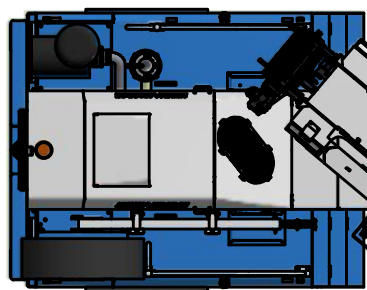
RANGE CHART No. 100-1

ALL LIFTING CONFIGURATIONS
INCLUDES FLY JIB & MAN BASKET



WORKING AREA

Winch Safe Working Loads	
Single Part	5000kg
Two Parts	10000kg
Four Parts	20000kg
Six Parts	30000kg



WINCH ROPE SPECIFICATION

16mm 35x7 G2070 NON ROTATING WIRE ROPE. MIN MBF 196.2 KN

FALLS WHERE THE ROPE TOUCHES THE GROUND	FALLS
A	2,4,6
B	2,4
C	2

CRANE SPECIFICATIONS

TYRE SPECIFICATIONS

TYPE	SPEED CONDITION	LIFTED LOAD CONDITION	LOAD RATING	REQ. INFLATION PRESSURE
14.00-20 20PR DUAL TYRES	<1.44KM/HR (0.4M/S)	<=35,000KG	12,948KG PER TYRE	125PSI
	80KM/HR	NO LOAD	N/A	90PSI

WIRE ROPE SPECIFICATIONS

LOCATION	DIAMETER	MIN. BREAKING FORCE (MBF)	CONSTRUCTION
MAIN WINCH ROPE	Ø16mm	251KN	35X7 NON-ROTATING, RHLL, GRADE 2160, 100M LONG, SOLID HEART THIMBLE ONE END, BRAZED OTHER END
INTERNAL EXTENSION ROPES	Ø16mm	251KN	35X7 NON-ROTATING, RHLL, GRADE 2160, 6.18M LONG, SOLID HEART THIMBLES BOTH ENDS

COUNTERWEIGHTS

LOCATION	PART NUMBER	WEIGHT
REAR OF CRANE	UV35-284-00	3,000KG

WINCH RATED CAPACITIES

ROPE FALLS	MAX LIFTED LOAD (WINCH)
1	5,000KG
2	10,000KG
4	20,000KG
6	30,000KG

LIFTING ATTACHMENT SPECIFICATIONS

NAME	PART NUMBER	TARE WEIGHT
6 FALL HOOK BLOCK	UV35-401-00A	166KG
30T SWIVEL HOOK	SUP00285	35KG
SPREADER BAR	SB-00-00	100KG
3 PART FLYJIB	FJ-00-00A	150KG
FLYJIB HOOKBLOCK	FJHB-00-00	50KG

DESIGNED AND MANUFACTURED TO AUSTRALIAN STANDARDS

AS 1418.5-2002 and AS 2550.5-2002



LOAD CHARTS

RATED CAPACITY CHART 103, 104

RATED CAPACITIES ON SLIDING HOOK I (Kilograms)

±10°, ±42° ARTICULATION

CAPACITIES ON SLIDING HOOK I IN KILOGRAMS										103 LMI CHART
NO COUNTERWEIGHT										104 LMI CHART
RADIUS	BOOM LENGTH									
	4.91	5.5	6	6.5	7	7.5	8	8.5	9	9.41
1.5	26145	27994	28076	28132	28173	28206	28231	28253	28270	
	23068	24760	24269	22077	20387	19032	17915	16977	16177	
	<u>1.58</u>	34	41	47	51	54	56	59	61	
2		18484	20482	20543	20585	20617	20641	20661	20678	20690
		16245	18056	18117	16708	15477	14481	13654	12954	12456
		<u>2.17</u>	32	39	45	49	52	55	57	59
2.5			14645	15976	16024	16058	16084	16104	16120	16132
			12825	14036	14084	13409	12458	11682	11033	10574
			<u>2.67</u>	31	38	43	47	50	53	55
3				12018	12974	13013	13041	13062	13079	13091
				10486	11356	11396	11156	10393	9766	9327
				<u>3.17</u>	30	36	41	45	49	51
3.5					10107	10829	10863	10887	10905	10917
					8784	9443	9477	9500	8879	8447
					<u>3.67</u>	28	35	40	44	47
4						8655	9222	9251	9271	9285
						7491	8009	8038	8058	7802
						<u>4.17</u>	27	34	39	42
4.5							7514	7972	7997	8012
							6475	6894	6919	6934
							<u>4.67</u>	26	33	37
5								6594	6972	6991
								5655	6002	6021
								<u>5.17</u>	26	31
5.5		GREEN 10 DEG ARTICULATION							5836	6150
		YELLOW 42 DEG ARTICULATION							4980	5268
		UNDER LINED VALUES INDICATE RADIUS AT 0 DEG							<u>5.67</u>	23
6.08										5308
										4510
										<u>6.08</u>

NOTES

1. Designed to meet ASI418.1, ASI418.5 and AS3990.
2. Area enclosed by the red double line denotes structural limitations — all other rated capacities do not exceed 66.7% of tipping loads.
3. Lift and carry on firm level ground (<1° side slope). Load must be carried on the shortest possible boom and close to the ground. Maximum crane speed when loaded = 1.4 km/hr (0.4m/s)
4. Weight of slings to be added to load.
5. Lifting and mobilizing load must be done with air bags dumped.
6. TYRES: FRONT = 1400x20x20ply inflated to 828 kPa (120psi); REAR = 1400x20x20ply inflated to 690 kPa (100psi).
7. Maximum In-Service Wind Speed (Average): 10m/s (36km/hr)
8. Contact DRA Group for use of this load chart at wind speeds above 10m/s

LIFTING ACCESSORIES WEIGHTS

These weights only apply to standard equipment supplied by CONSTRUCT ENGINEERING.

- 6 Fall hook block = 166 kg
- 6 Fall hook block hook = 28 kg
- Single hook block = 42
- Single hook block hook = 2 kg
- Install unused fly-jib = 150 kg

WINCH LOAD CHART

Rope Falls	Winch Load (Kg)
1	5 000
2	10 000
4	20 000
6	30 000

LOAD CHARTS

RATED CAPACITY CHART 303, 304

RATED CAPACITIES ON SLIDING HOOK I (Kilograms)

±10°, ±42° ARTICULATION

CAPACITIES ON SLIDING HOOK I IN KILOGRAMS										303 LMI CHART
3000KG COUNTERWEIGHT										304 LMI CHART
RADIUS	BOOM LENGTH									
	4.91	5.5	6	6.5	7	7.5	8	8.5	9	9.41
1.5	35000	35000	35000	35000	35000	35000	35000	35000	35000	35000
	29629	31657	31007	28193	26025	24288	22858	21658	20633	
	<u>1.58</u>	34	41	47	51	54	56	59	61	
2		24054	26518	26579	26621	26652	26677	26697	26714	26725
		21019	23229	23290	21467	19878	18593	17527	16626	15984
		<u>2.17</u>	32	39	45	49	52	55	57	59
2.5			19171	20805	20853	20887	20912	20932	20949	20960
			16705	18174	18222	17340	16103	15095	14253	13657
			<u>2.67</u>	31	38	43	47	50	53	55
3				15829	16997	17037	17065	17086	17103	17115
				13753	14805	14845	14524	13524	12704	12131
				<u>3.17</u>	30	36	41	45	49	51
3.5					13399	14278	14312	14336	14354	14366
					11606	12399	12433	12456	11636	11067
					<u>3.67</u>	28	35	40	44	47
4						11552	12240	12268	12289	12303
						9974	10596	10624	10645	10302
						<u>4.17</u>	27	34	39	42
4.5							10101	10655	10680	10695
							8692	9193	9218	9233
							<u>4.67</u>	26	33	37
5								8930	9387	9405
								7658	8071	8090
								<u>5.17</u>	26	31
5.5									7967	8345
									6806	7149
									<u>5.67</u>	23
6.08										7295
										6212
										<u>6.08</u>

NOTES	LIFTING ACCESSORIES WEIGHTS										
<ol style="list-style-type: none"> Designed to meet ASI418.1, ASI418.5 and AS3990. Area enclosed by the red double line denotes structural limitations — all other rated capacities do not exceed 66.7% of tipping loads. Lift and carry on firm level ground (<1° side slope). Load must be carried on the shortest possible boom and close to the ground. Maximum crane speed when loaded = 1.4 km/hr (0.4m/s) Weight of slings to be added to load. Lifting and mobilizing load must be done with air bags dumped. TYRES: FRONT = 1400x20x20ply inflated to 828 kPa (120psi); REAR = 1400x20x20ply inflated to 690 kPa (100psi). Maximum In-Service Wind Speed (Average): 10m/s (36km/hr) Contact DRA Group for use of this load chart at wind speeds above 10m/s 	<p>These weights only apply to standard equipment supplied by CONSTRUCT ENGINEERING.</p> <ul style="list-style-type: none"> 6 Fall hook block = 166 kg 6 Fall hook block hook = 28 kg Single hook block = 42 Single hook block hook = 2 kg Install unused fly-jib = 150 kg 										
	WINCH LOAD CHART										
	<table border="1"> <thead> <tr> <th>Rope Falls</th> <th>Winch Load (Kg)</th> </tr> </thead> <tbody> <tr> <td>1</td> <td>5 000</td> </tr> <tr> <td>2</td> <td>10 000</td> </tr> <tr> <td>4</td> <td>20 000</td> </tr> <tr> <td>6</td> <td>30 000</td> </tr> </tbody> </table>	Rope Falls	Winch Load (Kg)	1	5 000	2	10 000	4	20 000	6	30 000
Rope Falls	Winch Load (Kg)										
1	5 000										
2	10 000										
4	20 000										
6	30 000										



LOAD CHARTS

RATED CAPACITY CHART 105, 106

RATED CAPACITIES ON SLIDING HOOK 2 (Kilograms)

±10°, ±42° ARTICULATION

CAPACITIES ON SLIDING HOOK 2 IN KILOGRAMS											105 LMI CHART
NO COUNTERWEIGHT											106 LMI CHART
RADIUS	BOOM LENGTH										
	5.81	6	6.5	7	7.5	8	8.5	9	9.5	10	10.31
1.5	28950	28943	28921	28898	28875	28854	28833	28815			
	25716	25292	22934	21122	19672	18480	17481	16630			
	38	41	46	50	53	56	58	60			
2	21219	21220	21213	21199	21184	21168	21153	21139	21125	21113	
	18793	18794	18787	17380	16057	14989	14105	13358	12719	12164	
	28	32	39	44	48	52	54	57	59	60	
2.5	16645	16559	16577	16574	16565	16554	16543	16531	16521	16510	16504
	14687	14619	14637	14633	13968	12943	12109	11414	10823	10315	10033
	2.48	19	30	37	43	47	50	53	55	57	58
3		15317	13465	13482	13480	13474	13466	13458	13449	13441	13436
		13498	11848	11864	11863	11638	10814	10139	9572	9088	8822
		2.67	18	29	36	41	45	48	51	53	55
3.5			12584	11255	11270	11271	11266	11260	11254	11247	11243
			11052	9869	9884	9884	9880	9254	8694	8221	7962
			3.17	17	28	35	40	44	47	50	51
4				10597	9597	9612	9613	9610	9606	9600	9597
				9274	8384	8399	8400	8397	8054	7580	7324
				3.67	16	27	34	38	42	46	47
4.5					9086	8308	8322	8323	8322	8318	8316
					7922	7230	7243	7245	7243	7097	6838
					4.17	15	26	33	37	41	43
5						7899	7277	7290	7292	7291	7289
						6859	6307	6319	6321	6320	6319
						4.67	15	25	32	36	39
5.5							6941	6433	6445	6447	6447
							6003	5551	5563	5565	5565
							5.17	14	25	31	34
6								6153	5730	5741	5743
								5297	4922	4933	4935
								5.67	14	24	28
6.5									5493	5135	5144
									4706	4389	4397
									6.17	13	20
6.977										4931	4623
										4203	3928
										6.67	0

NOTES

- Designed to meet ASI418.1, ASI418.5 and AS3990.
- Area enclosed by the red double line denotes structural limitations — all other rated capacities do not exceed 66.7% of tipping loads.
- Lift and carry on firm level ground (<1° side slope). Load must be carried on the shortest possible boom and close to the ground. Maximum crane speed when loaded = 1.4 km/hr (0.4m/s)
- Weight of slings to be added to load.
- Lifting and mobilising load must be done with air bags dumped.
- TYRES: FRONT = 1400x20x20ply inflated to 828 kPa (120psi); REAR = 1400x20x20ply inflated to 690 kPa (100psi).
- Maximum In-Service Wind Speed (Average): 10m/s (36km/hr)
- Contact DRA Group for use of this load chart at wind speeds above 10m/s

LIFTING ACCESSORIES WEIGHTS

These weights only apply to standard equipment supplied by CONSTRUCT ENGINEERING.

- 6 Fall hook block = 166 kg
- 6 Fall hook block hook = 28 kg
- Single hook block = 42
- Single hook block hook = 2 kg
- Install unused fly-jib = 150 kg

WINCH LOAD CHART

Rope Falls	Winch Load (Kg)
1	5 000
2	10 000
4	20 000
6	30 000

LOAD CHARTS

RATED CAPACITY CHART 305, 306

RATED CAPACITIES ON SLIDING HOOK 2 (Kilograms)

±10°, ±42° ARTICULATION

CAPACITIES ON SLIDING HOOK 2 IN KILOGRAMS										305 LMI CHART	
3000KG COUNTERWEIGHT										306 LMI CHART	
RADIUS	BOOM LENGTH										
	5.81	6	6.5	7	7.5	8	8.5	9	9.5	10	10.31
1.5	35000	35000	35000	35000	35000	35000	35000	35000			
	32643	31885	28923	26647	24827	23332	22079	21011			
2	27273	27276	27271	27260	27246	27232	27218	27204	27191	27179	
	23984	23987	23983	22055	20383	19034	17917	16974	16166	15466	
2.5	21519	21399	21421	21420	21413	21403	21393	21383	21373	21363	21357
	18864	18768	18790	18789	17840	16535	15475	14590	13839	13192	12834
3	19844	17497	17518	17519	17514	17507	17500	17492	17484	17479	
	17378	15305	15325	15326	14962	13906	13042	12316	11697	11355	
3.5	16396	14711	14730	14732	14729	14724	14718	14712	14708		
	14319	12832	12850	12852	12849	11981	11259	10649	10316		
4	13889	12621	12638	12641	12639	12636	12631	12628			
	12095	10977	10994	10997	10995	10502	9887	9554			
4.5	11983	10996	11012	11015	11014	11011	11009				
	10404	9534	9550	9553	9552	9323	8984				
5	10485	9696	9710	9714	9714	9714	9713				
	9076	8380	8395	8398	8398	8398	8397				
5.5	9278	8632	8646	8649	8650						
	8005	7436	7450	7453	7454						
6	8283	7746	7758	7761							
	7123	6649	6662	6665							
6.5	7450	6996	7005								
	6384	5984	5993								
6.977	6742	6354									
	5755	5411									
	6.67	0									

NOTES

- Designed to meet ASI418.1, ASI418.5 and AS3990.
- Area enclosed by the red double line denotes structural limitations — all other rated capacities do not exceed 66.7% of tipping loads.
- Lift and carry on firm level ground (<1° side slope). Load must be carried on the shortest possible boom and close to the ground. Maximum crane speed when loaded = 1.4 km/hr (0.4m/s)
- Weight of slings to be added to load.
- Lifting and mobilizing load must be done with air bags dumped.
- TYRES: FRONT = 1400x20x20ply inflated to 828 kPa (120psi); REAR = 1400x20x20ply inflated to 690 kPa (100psi).
- Maximum In-Service Wind Speed (Average): 10m/s (36km/hr)
- Contact DRA Group for use of this load chart at wind speeds above 10m/s

LIFTING ACCESSORIES WEIGHTS

These weights only apply to standard equipment supplied by CONSTRUCT ENGINEERING.

- 6 Fall hook block = 166 kg
- 6 Fall hook block hook = 28 kg
- Single hook block = 42
- Single hook block hook = 2 kg
- Install unused fly-jib = 150 kg

WINCH LOAD CHART

Rope Falls	Winch Load (Kg)
1	5 000
2	10 000
4	20 000
6	30 000



LOAD CHARTS

RATED CAPACITY CHART 101, 102

RATED CAPACITIES ON MAIN WINCH ROPE (Kilograms)

±10°, ±42° ARTICULATION

CAPACITIES ON SHEAVE HOOK IN KILOGRAMS																101 LMI CHART
NO COUNTERWEIGHT																102 LMI CHART
RAD	BOOM LENGTH															
	7.225	8	9	10	11	12	13	14	15	16	17	18	19	20	20.725	
1.5	30000	29701	29525	29383												
	22128	19889	17775	16211												
2	50	54	59	62												
	22043	21904	21759	21642	21546											
3	18194	16179	14315	12956	11919											
	44	50	55	59	62											
4	14210	14104	13990	13899	13823	13603	13751									
	12593	12486	10938	9739	8846	8048	7628									
5	31	39	47	52	56	59	62									
	10594	10197	10103	10025	9961	9769	9899	10010	10106							
6	9347	8984	8890	8185	7331	6578	6202	5890	5625							
	2.82	25	37	44	49	53	57	59	62							
7		8503	7767	7699	7642	7468	7587	7689	7776	7853	7920					
		6967	6796	6729	6452	5699	5344	5052	4807	4598	4417					
8		4.67	24	35	42	47	51	54	57	59	61					
			6651	6145	6094	5932	6045	6141	6223	6295	6358	6414	6464			
9			5473	5336	5285	5124	4773	4491	4257	4058	3887	3739	3608			
			5.67	22	33	40	45	49	52	55	57	59	61			
10				5354	4985	4834	4942	5034	5113	5182	5242	5296	5344	5386	5415	
				4407	4292	4141	4249	4090	3859	3667	3503	3361	3236	3126	3054	
11				6.67	21	32	38	43	47	51	53	56	58	60	61	
					4396	4008	4114	4204	4280	4347	4405	4457	4503	4544	4572	
12					3606	3401	3508	3597	3561	3370	3210	3072	2951	2846	2776	
					7.67	20	30	37	42	46	49	52	54	56	57	
13						3553	3468	3557	3632	3697	3754	3804	3849	3889	3915	
						2882	2929	3018	3093	3138	2978	2842	2725	2622	2555	
14						8.67	19	29	36	40	44	47	50	53	54	
							3104	3037	3112	3176	3232	3281	3325	3364	3390	
15							2515	2552	2627	2691	2747	2655	2539	2438	2373	
							9.67	19	28	34	39	43	46	49	51	
16								2739	2686	2750	2805	2853	2897	2935	2961	
								2215	2245	2309	2364	2412	2383	2284	2220	
17								10.67	18	27	33	38	42	45	47	
									2436	2393	2448	2497	2539	2577	2603	
18									1964	1989	2044	2092	2135	2152	2088	
									11.67	17	26	32	37	41	43	
19										2181	2146	2194	2237	2274	2299	
										1752	1772	1821	1863	1901	1926	
20										12.67	17	26	31	36	39	
											1964	1934	1977	2014	2039	
21											1571	1587	1630	1668	1693	
											13.67	16	25	31	34	
22												1776	1751	1789	1813	
												1413	1427	1465	1490	
23												14.67	16	24	28	
													1612	1590	1615	
24													1276	1287	1312	
													15.67	15	22	
25														1468	1440	
														1154	1154	
26														16.67	12	
															1374	
27															1095	
															0	

NOTES

- Designed to meet ASI418.1, ASI418.5 and AS3990.
- Area enclosed by the red double line denotes structural limitations — all other rated capacities do not exceed 66.7% of tipping loads.
- Lift and carry on firm level ground (<1° side slope). Load must be carried on the shortest possible boom and close to the ground. Maximum crane speed when loaded = 1.4 km/hr (0.4m/s)
- Weight of slings to be added to load.
- Lifting and mobilizing load must be done with air bags dumped.
- TYRES: FRONT = 1400x20x20ply inflated to 828 kPa (120psi); REAR = 1400x20x20ply inflated to 690 kPa (100psi).
- Maximum In-Service Wind Speed (Average): 10m/s (36km/hr)
- Contact DRA Group for use of this load chart at wind speeds above 10m/s

LIFTING ACCESSORIES WEIGHTS

These weights only apply to standard equipment supplied by CONSTRUCT ENGINEERING.

- 6 Fall hook block = 166 kg
- 6 Fall hook block hook = 28 kg
- Single hook block = 42
- Single hook block hook = 2 kg
- Install unused fly-jib = 150 kg

WINCH LOAD CHART

Rope Falls	Winch Load (Kg)
1	5 000
2	10 000
4	20 000
6	30 000



LOAD CHARTS

RATED CAPACITY CHART 301, 302

RATED CAPACITIES ON MAIN WINCH ROPE (Kilograms)

±10°, ±42° ARTICULATION

CAPACITIES ON SHEAVE HOOK IN KILOGRAMS																			301 LMI CHART
3000KG COUNTERWEIGHT																			302 LMI CHART
RAD	BOOM LENGTH																		
	7.225	8	9	10	11	12	13	14	15	16	17	18	19	20	20.725				
1.5	30000	30000	30000	30000															
	27936	25139	22494	20534															
2	28069	27929	27782	27665	27568														
	23050	20526	18188	16480	15174														
3	18229	18121	18007	17915	17838	17618	17766												
	16037	15929	14014	12497	11366	10381	9812												
4	13695	13212	13117	13038	12973	12780	12910	13021	13117										
	12005	11568	11473	10605	9513	8579	8061	7632	7271										
5	1090	10178	10110	10052	9877	9996	10098	10186	10262	10330									
	9681	8863	8795	8465	7524	7024	6616	6276	5987	5738									
6	8781	8155	8103	7941	8053	8149	8231	8303	8366	8422	8472								
	7621	7058	7007	6845	6352	5949	5618	5339	5100	4893	4712								
7	7165	6708	6556	6664	6756	6835	6903	6964	7017	7065	7108	7136							
	6178	5769	5616	5725	5487	5155	4879	4645	4444	4268	4114	4013							
8	5970	5515	5621	5710	5787	5853	5911	5963	6009	6050	6078								
	5113	4693	4799	4888	4819	4539	4306	4107	3934	3783	3685								
9	4946	4808	4896	4971	5036	5093	5143	5188	5228	5254									
	4187	4077	4166	4240	4284	4046	3845	3674	3524	3427									
10	4352	4244	4318	4382	4437	4487	4530	4570	4596	4617	4633	4646	4656	4663	4669	4674	4678	4681	4683
	3672	3586	3660	3724	3780	3840	3903	3969	4037	4107	4179	4253	4329	4407	4487	4568	4651	4736	4822
11	3870	3782	3846	3901	3949	3992	4031	4066	4097	4124	4148	4168	4184	4197	4208	4216	4222	4227	4231
	3254	3184	3248	3303	3351	3398	3435	3463	3482	3498	3511	3521	3529	3535	3540	3544	3547	3549	3550
12	3471	3398	3453	3501	3544	3582	3607												
	2907	2850	2905	2953	2996	3007	2908												
13	3134	3074	3122	3164	3202	3227													
	2615	2568	2616	2658	2696	2721													
14	2847	2796	2838	2876	2900														
	2366	2326	2368	2406	2431														
15	2599	2555	2593	2617															
	2151	2116	2154	2179															
16	2383	2344	2369																
	1963	1933	1958																
17	2193	2150																	
	1798	1763																	
17.39	2068																		
	1690																		

NOTES

- Designed to meet ASI418.1, ASI418.5 and AS3990.
- Area enclosed by the red double line denotes structural limitations — all other rated capacities do not exceed 66.7% of tipping loads.
- Lift and carry on firm level ground (<1° side slope). Load must be carried on the shortest possible boom and close to the ground. Maximum crane speed when loaded = 1.4 km/hr (0.4m/s)
- Weight of slings to be added to load.
- Lifting and mobilizing load must be done with air bags dumped.
- TYRES: FRONT = 1400x20x20ply inflated to 828 kPa (120psi); REAR = 1400x20x20ply inflated to 690 kPa (100psi).
- Maximum In-Service Wind Speed (Average): 10m/s (36km/hr)
- Contact DRA Group for use of this load chart at wind speeds above 10m/s

LIFTING ACCESSORIES WEIGHTS

These weights only apply to standard equipment supplied by CONSTRUCT ENGINEERING.

- 6 Fall hook block = 166 kg
- 6 Fall hook block hook = 28 kg
- Single hook block = 42
- Single hook block hook = 2 kg
- Install unused fly-jib = 150 kg

WINCH LOAD CHART

Rope Falls	Winch Load (Kg)
1	5 000
2	10 000
4	20 000
6	30 000



LOAD CHARTS

RATED CAPACITY CHART 107, 108

RATED CAPACITIES ON RHINO HOOK (Kilograms)

±10°, ±42° ARTICULATION

CAPACITIES ON RHINO HOOK IN KILOGRAMS																	107 LMI CHART
NO COUNTERWEIGHT																	108 LMI CHART
RAD	BOOM LENGTH																
	7.57	8	9	10	11	12	13	14	15	16	17	18	19	20	21		
1.5	20000	20000	20000	20000													
	20000	20000	17833	16256													
	52	55	59	63													
2	20000	20000	20000	20000	20000												
	17323	16272	14385	13012	11964												
	47	50	55	59	62												
3	14361	14295	14164	14058	13971	13672	13816										
	12743	12678	11027	9809	8904	8051	7629										
	35	40	47	52	56	59	62										
4	10411	10360	10251	10161	10086	9825	9952	10060	10153								
	9198	9147	9038	8270	7399	6590	6211	5896	5630								
	16	25	37	44	50	54	57	59	62								
5		8651	7898	7820	7754	7516	7633	7732	7817	7892	7958						
		7611	6928	6850	6532	5717	5358	5064	4817	4606	4423						
		4.67	24	35	42	47	51	55	57	60	62						
6			6772	6255	6196	5976	6086	6179	6260	6330	6392	6446	6498				
			5916	5447	5388	5149	4792	4506	4269	4069	3897	3747	3615				
			5.67	23	33	40	45	49	53	55	58	60	61				
7				5457	5081	4873	4980	5070	5147	5214	5273	5325	5372	5414	5451		
				4730	4388	4180	4287	4109	3875	3681	3515	3371	3245	3134	3035		
				6.67	21	32	39	44	47	51	53	56	58	60	61		
8					4486	4043	4149	4236	4311	4376	4434	4484	4529	4569	4606		
					3853	3437	3542	3630	3580	3386	3224	3084	2962	2855	2760		
					7.67	20	31	37	42	46	49	52	54	56	58		
9						3584	3500	3587	3661	3725	3780	3829	3873	3913	3948		
						3024	2961	3048	3122	3157	2994	2856	2737	2633	2541		
						8.67	20	29	36	41	44	48	50	53	55		
10							3132	3066	3140	3203	3257	3306	3348	3387	3422		
							2630	2581	2654	2717	2772	2671	2553	2451	2361		
							9.67	19	28	35	39	43	46	49	51		
11								2764	2711	2775	2829	2877	2919	2957	2991		
								2309	2270	2334	2388	2436	2399	2298	2209		
								10.67	18	27	33	38	42	45	48		
12									2459	2416	2471	2519	2561	2598	2631		
									2044	2012	2067	2114	2156	2167	2079		
									11.67	18	26	32	37	41	44		
13										2203	2167	2215	2257	2294	2327		
										1820	1794	1842	1884	1921	1954		
										12.67	17	26	32	36	40		
14											1984	1954	1996	2033	2066		
											1629	1607	1650	1687	1720		
											13.67	16	25	31	35		
15												1795	1769	1807	1840		
												1464	1446	1483	1517		
												14.67	16	24	30		
16													1630	1608	1642		
													1320	1305	1338		
													15.67	16	24		
17														1485	1465		
														1194	1180		
														16.67	15		
17.74															1356		
															1081		
															17.67		

NOTES

- Designed to meet ASI418.1, ASI418.5 and AS3990.
- Area enclosed by the red double line denotes structural limitations — all other rated capacities do not exceed 66.7% of tipping loads.
- Lift and carry on firm level ground (<1° side slope). Load must be carried on the shortest possible boom and close to the ground. Maximum crane speed when loaded = 1.4 km/hr (0.4m/s)
- Weight of slings to be added to load.
- Lifting and mobilizing load must be done with air bags dumped.
- TYRES: FRONT = 1400x20x20ply inflated to 828 kPa (120psi); REAR = 1400x20x20ply inflated to 690 kPa (100psi).
- Maximum In-Service Wind Speed (Average): 10m/s (36km/hr)
- Contact DRA Group for use of this load chart at wind speeds above 10m/s

LIFTING ACCESSORIES WEIGHTS

These weights only apply to standard equipment supplied by CONSTRUCT ENGINEERING.

- 6 Fall hook block = 166 kg
- 6 Fall hook block hook = 28 kg
- Single hook block = 42
- Single hook block hook = 2 kg
- Install unused fly-jib = 150 kg

WINCH LOAD CHART

Rope Falls	Winch Load (Kg)
1	5 000
2	10 000
4	20 000
6	30 000



LOAD CHARTS

RATED CAPACITY CHART 307, 308

RATED CAPACITIES ON RHINO HOOK (Kilograms)

±10°, ±42° ARTICULATION

CAPACITIES ON RHINO HOOK IN KILOGRAMS																	307 LMI CHART
3000KG COUNTERWEIGHT																	308 LMI CHART
RAD	BOOM LENGTH																
	7.57	8	9	10	11	12	13	14	15	16	17	18	19	20	21		
1.5	20000	20000	20000	20000													
	20000	20000	20000	20000													
	52	55	59	63													
2	20000	20000	20000	20000	20000												
	20000	20000	18190	16477	15169												
	47	50	55	59	62												
3	18384	18319	18188	18082	17995	17696	17840										
	16192	16126	14058	12529	11390	10355	9786										
	35	40	47	52	56	59	62										
4	13429	13378	13269	13179	13104	12843	12970	13078	13171								
	11785	11734	11625	10660	9556	8569	8049	7620	7259								
	16	25	37	44	50	54	57	59	62								
5		11237	10312	10234	10168	9931	10047	10146	10232	10306	10372						
		9828	8997	8919	8524	7524	7022	6613	6272	5982	5733						
		4.67	24	35	42	47	51	55	57	60	62						
6			8903	8267	8208	7987	8098	8191	8272	8342	8404	8458	8507				
			7742	7171	7112	6867	6358	5953	5620	5340	5100	4893	4711				
			5.67	23	33	40	45	49	53	55	58	60	61				
7				7268	6805	6598	6704	6794	6871	6938	6997	7050	7096	7138	7176		
				6282	5866	5658	5765	5496	5162	4884	4649	4447	4270	4115	3977		
				6.67	21	32	39	44	47	51	53	56	58	60	61		
8					6060	5552	5658	5745	5820	5885	5942	5993	6038	6078	6115		
					5202	4730	4835	4923	4830	4548	4313	4112	3939	3787	3653		
					7.67	20	31	37	42	46	49	52	54	56	58		
9						4977	4841	4929	5002	5066	5122	5171	5215	5254	5289		
						4218	4110	4198	4271	4296	4056	3854	3681	3530	3398		
						8.67	20	29	36	41	44	48	50	53	55		
10							4380	4273	4347	4410	4464	4513	4556	4594	4629		
							3700	3615	3689	3752	3807	3650	3475	3325	3193		
							9.67	19	28	35	39	43	46	49	51		
11								3896	3809	3872	3926	3974	4016	4054	4088		
								3279	3211	3274	3328	3376	3310	3157	3024		
								10.67	18	27	33	38	42	45	48		
12									3494	3422	3477	3525	3566	3604	3637		
									2930	2874	2929	2977	3018	3019	2884		
									11.67	18	26	32	37	41	44		
13										3156	3096	3144	3186	3223	3256		
										2637	2590	2638	2680	2717	2750		
										12.67	17	26	32	36	40		
14											2867	2816	2858	2896	2929		
											2386	2346	2389	2426	2459		
											13.67	16	25	31	35		
15												2618	2574	2612	2645		
												2169	2135	2173	2206		
												14.67	16	24	30		
16													2400	2362	2396		
													1981	1951	1985		
													15.67	16	24		
17														2209	2176		
														1814	1789		
														16.67	15		
17.74															2039		
															1667		
															17.67		

NOTES

- Designed to meet ASI418.1, ASI418.5 and AS3990.
- Area enclosed by the red double line denotes structural limitations — all other rated capacities do not exceed 66.7% of tipping loads.
- Lift and carry on firm level ground (<1° side slope). Load must be carried on the shortest possible boom and close to the ground. Maximum crane speed when loaded = 1.4 km/hr (0.4m/s)
- Weight of slings to be added to load.
- Lifting and mobilising load must be done with air bags dumped.
- TYRES: FRONT = 1400x20x20ply inflated to 828 kPa (120psi); REAR = 1400x20x20ply inflated to 690 kPa (100psi).
- Maximum In-Service Wind Speed (Average): 10m/s (36km/hr)
- Contact DRA Group for use of this load chart at wind speeds above 10m/s

LIFTING ACCESSORIES WEIGHTS

These weights only apply to standard equipment supplied by CONSTRUCT ENGINEERING.

- 6 Fall hook block = 166 kg
- 6 Fall hook block hook = 28 kg
- Single hook block = 42
- Single hook block hook = 2 kg
- Install unused fly-jib = 150 kg

WINCH LOAD CHART

Rope Falls	Winch Load (Kg)
1	5 000
2	10 000
4	20 000
6	30 000



LOAD CHARTS

STATIONARY RATED CAPACITY CHART 109, 110

RATED CAPACITIES ON MAIN WINCH ROPE (Kilograms)

±10°, ±42° ARTICULATION - NO PICK AND CARRY PERMITTED

CAPACITIES ON SHEAVE HOOK IN KILOGRAMS															109 LMI CHART	
NO COUNTERWEIGHT															110 LMI CHART	
RAD	BOOM LENGTH															
	7.225	8	9	10	11	12	13	14	15	16	17	18	19	20	20.725	
1.5	30000	30000	30000	30000												
	24961	22432	20044	18277												
	50	54	59	62												
2	24788	24630	24465	24332	24224											
	20518	18244	16140	14605	13434											
	44	50	55	59	62											
3	15981	15860	15731	15627	15541	15293	15460									
	14162	14040	12328	10975	9968	9068	8594									
	30	39	47	52	56	59	62									
4	11918	11469	11361	11273	11199	10983	11129	11254	11362							
	10515	10104	9997	9222	8259	7410	6986	6634	6335							
	3.82	25	37	44	49	53	57	59	61							
5		9566	8735	8658	8592	8396	8530	8644	8743	8829	8905					
		8397	7643	7566	7267	6419	6019	5690	5414	5178	4974					
		4.67	23	35	42	47	51	54	57	59	61					
6			7482	6910	6852	6670	6796	6904	6997	7077	7149	7212	7268			
			6519	6001	5943	5760	5375	5057	4793	4569	4377	4209	4062			
			5.67	22	33	40	45	49	52	55	57	59	61			
7				6024	5607	5436	5557	5660	5749	5826	5894	5954	6008	6056	6088	
				5205	4827	4656	4777	4605	4345	4129	3944	3784	3643	3519	3437	
				6.67	21	32	38	43	47	50	53	56	58	59	61	
8					4945	4507	4626	4727	4813	4887	4953	5011	5063	5109	5140	
					4233	3825	3944	4044	4009	3794	3613	3458	3322	3203	3125	
					7.67	20	30	37	42	46	49	52	54	56	57	
9						3997	3900	4000	4084	4157	4220	4277	4327	4372	4402	
						3367	3294	3393	3477	3533	3552	3199	3067	2951	2876	
						8.67	19	29	35	40	44	47	50	52	54	
10							3491	3416	3500	3571	3634	3689	3739	3783	3812	
							2927	2870	2954	3026	3088	2988	2858	2744	2671	
							9.67	19	28	34	39	43	46	49	51	
11								3081	3020	3092	3154	3208	3257	3300	3329	
								2569	2524	2596	2658	2712	2682	2570	2498	
								10.67	18	27	33	38	42	45	47	
12									2741	2691	2753	2807	2855	2898	2926	
									2273	2236	2298	2352	2400	2421	2350	
									11.67	17	26	32	37	41	43	
13										2454	2413	2467	2515	2557	2585	
										2023	1993	2048	2095	2137	2165	
										12.67	17	25	31	36	39	
14											2209	2175	2223	2265	2293	
											1810	1785	1833	1875	1903	
											13.67	16	25	30	34	
15												1998	1969	2011	2039	
												1626	1605	1648	1675	
												14.67	16	24	28	
16													1814	1789	1817	
													1466	1447	1476	
													15.67	15	22	
17														1652	1619	
														1324	1298	
														16.67	12	
17.39															1546	
															1232	
															0	

NOTES

- Designed to meet ASI418.1, ASI418.5 and AS3990.
- Area enclosed by the red double line denotes structural limitations — all other rated capacities do not exceed 75% of tipping loads.
- Stationary lift on firm level ground (<1° side slope). No mobility or articulation with load permitted.
- Weight of slings to be added to load.
- Lifting load must be done with air bags dumped.
- TYRES: FRONT = 1400x20x20ply inflated to 828 kPa (120psi); REAR = 1400x20x20ply inflated to 690 kPa (100psi).
- Maximum In-Service Wind Speed (Average): 10m/s (36km/hr)

LIFTING ACCESSORIES WEIGHTS

These weights only apply to standard equipment supplied by CONSTRUCT ENGINEERING.

- 6 Fall hook block = 166 kg
- 6 Fall hook block hook = 28 kg
- Single hook block = 42
- Single hook block hook = 2 kg
- Install unused fly-jib = 150 kg

WINCH LOAD CHART

Rope Falls	Winch Load (Kg)
1	5 000
2	10 000
4	20 000
6	30 000



LOAD CHARTS

STATIONARY RATED CAPACITY CHART 309, 310

RATED CAPACITIES ON MAIN WINCH ROPE (Kilograms)

±10°, ±42° ARTICULATION - NO PICK AND CARRY PERMITTED

CAPACITIES ON SHEAVE HOOK IN KILOGRAMS																	309 LMI CHART	
3000KG COUNTERWEIGHT																	310 LMI CHART	
RAD	BOOM LENGTH																	
	7.225	8	9	10	11	12	13	14	15	16	17	18	19	20	20.725			
1.5	30000	30000	30000	30000														
	30000	28282	25306	23101														
	50	54	59	62														
2	30000	30000	30000	30000	30000													
	25931	23092	20461	18540	17071													
	44	50	55	59	62													
3	20508	20387	20258	20154	20068	19820	19986											
	18042	17920	15765	14059	12787	11679	11038											
	30	39	47	52	56	59	62											
4	15407	14864	14756	14668	14594	14378	14524	14649	14757									
	13506	13014	12907	11930	10702	9652	9068	8586	8180									
	3.82	25	37	44	49	53	57	59	61									
5	12476	11451	11374	11308	11112	11246	11360	11459	11545	11621								
	10891	9971	9894	9523	8464	7902	7444	7061	6736	6456								
	4.67	23	35	42	47	51	54	57	59	61								
6	9879	9174	9116	8933	8933	9060	9167	9260	9341	9412	9475	9532						
	8573	7941	7883	7700	7146	6693	6320	6006	5738	5505	5301							
	5.67	22	33	40	45	49	52	55	57	59	61							
7	8061	7547	7376	7497	7600	7689	7766	7834	7894	7948	7996	8028						
	6951	6490	6319	6440	6173	5799	5489	5226	4999	4802	4628	4514						
	6.67	21	32	38	43	47	50	53	56	58	59	61						
8	6717	6205	6324	6424	6510	6585	6650	6708	6760	6807	6838							
	5752	5280	5399	5499	5421	5107	4844	4620	4426	4256	4145							
	7.67	20	30	37	42	46	49	52	54	56	57							
9	5564	5409	5509	5593	5665	5729	5786	5836	5881	5911								
	4710	4587	4686	4770	4820	4851	4884	4932	4965	5000	5031							
	8.67	19	29	35	40	44	47	50	52	54	56							
10	4896	4774	4858	4930	4992	5047	5097	5141	5170									
	4131	4034	4118	4190	4252	4294	4326	4359	4391	4423	4455							
	9.67	19	28	34	39	43	46	49	51	53	55							
11	4354	4255	4327	4389	4443	4491	4535	4564										
	3660	3582	3654	3716	3770	3711	3540	3431										
	10.67	18	27	33	38	42	45	47										
12	3905	3823	3885	3939	3987	4030	4058											
	3270	3206	3268	3322	3370	3383	3272											
	11.67	17	26	32	37	41	43											
13	3526	3458	3512	3560	3602	3630												
	2942	2889	2943	2990	3033	3061												
	12.67	17	25	31	36	39												
14	3203	3145	3193	3235	3263													
	2662	2616	2664	2707	2734													
	13.67	16	25	30	34													
15	2924	2874	2917	2945														
	2420	2381	2423	2451														
	14.67	16	24	28														
16	2681	2637	2665															
	2209	2175	2203															
	15.67	15	22															
17	2467	2418																
	2023	1983																
	16.67	12																
17.39	2327																	
	1901																	
																	0	

NOTES

- Designed to meet ASI418.1, ASI418.5 and AS3990.
- Area enclosed by the red double line denotes structural limitations — all other rated capacities do not exceed 75% of tipping loads.
- Stationary lift on firm level ground (<1° side slope). No mobility or articulation with load permitted.
- Weight of slings to be added to load.
- Lifting load must be done with air bags dumped.
- TYRES: FRONT = 1400x20x20ply inflated to 828 kPa (120psi); REAR = 1400x20x20ply inflated to 690 kPa (100psi).
- Maximum In-Service Wind Speed (Average): 10m/s (36km/hr)

LIFTING ACCESSORIES WEIGHTS

These weights only apply to standard equipment supplied by CONSTRUCT ENGINEERING.

- 6 Fall hook block = 166 kg
- 6 Fall hook block hook = 28 kg
- Single hook block = 42
- Single hook block hook = 2 kg
- Install unused fly-jib = 150 kg

WINCH LOAD CHART

Rope Falls	Winch Load (Kg)
1	5 000
2	10 000
4	20 000
6	30 000



LOAD CHARTS

RATED CAPACITY CHART 401, 402, 403

RATED CAPACITIES ON MAIN WINCH ROPE USED IN CONJUNCTION WITH 3 PART EXTENDABLE FLY JIB (Kilograms) ±42° ARTICULATION

CAPACITIES ON EXTENDABLE FLY JIB IN KILOGRAMS NO OFFSET			401 LMI CHART 23.3m
			402 LMI CHART 24.8m
			403 LMI CHART 26.3m
RADIUS	BOOM LENGTH		
	23.3	24.8	26.3
9	1100		
	59		
10	1050	600	460
	56	58	60
11	1000	550	440
	53	55	58
12	950	550	420
	49	52	55
13	900	500	400
	46	49	52
14	850	500	380
	43	46	49
15	800	450	360
	39	43	46
16	800	450	340
	35	39	43
17	750	450	320
	30	36	40
18	700	400	320
	24	31	36
19	700	400	300
	17	26	32
20	650	400	300
	19.97RAD @ 0 DEG	21	28
21		400	280
		12	23
22		400	280
		21.47RAD @ 0 DEG	16
23			280
			0

NOTES	LIFTING ACCESSORIES WEIGHTS											
<ol style="list-style-type: none"> Designed to meet AS1418.1, AS1418.5 and AS3990. Area enclosed by the red double line denotes structural limitations — all other rated capacities do not exceed 66.7% of tipping loads. Lift and carry on firm level ground (<1° side slope). Load must be carried on the shortest possible boom and close to the ground. Maximum crane speed when loaded = 1.4 km/hr (0.4m/s) Weight of slings to be added to load. Lifting and mobilising load must be done with air bags dumped. TYRES: FRONT = 1400x20x20ply inflated to 828 kPa (120psi); REAR = 1400x20x20ply inflated to 690 kPa (100psi). Maximum In-Service Wind Speed (Average): 10m/s (36km/hr) 	<p>These weights only apply to standard equipment supplied by CONSTRUCT ENGINEERING.</p> <ul style="list-style-type: none"> 6 Fall hook block = 166 kg 6 Fall hook block hook = 28 kg Single hook block = 42 Single hook block hook = 2 kg Install unused fly-jib = 150 kg 											
		WINCH LOAD CHART										
		<table border="1"> <thead> <tr> <th>Rope Falls</th> <th>Winch Load (Kg)</th> </tr> </thead> <tbody> <tr> <td>1</td> <td>5 000</td> </tr> <tr> <td>2</td> <td>10 000</td> </tr> <tr> <td>4</td> <td>20 000</td> </tr> <tr> <td>6</td> <td>30 000</td> </tr> </tbody> </table>	Rope Falls	Winch Load (Kg)	1	5 000	2	10 000	4	20 000	6	30 000
	Rope Falls	Winch Load (Kg)										
	1	5 000										
	2	10 000										
	4	20 000										
6	30 000											

LOAD CHARTS

RATED CAPACITY CHART 404, 405, 406

RATED CAPACITIES ON MAIN WINCH ROPE USED IN CONJUNCTION WITH 3 PART EXTENDABLE FLY JIB (Kilograms) 12 DEGREE OFFSET ±42° ARTICULATION

CAPACITIES ON EXTENDABLE FLY JIB IN KILOGRAMS 12 Deg OFFSET			404 LMI CHART 23.3m
			405 LMI CHART 24.8m
			406 LMI CHART 26.3m
RADIUS	BOOM LENGTH		
	23.25	24.72	26.18
9	920		
	59		
10	880	500	
	56	60	
11	840	480	370
	53	57	60
12	810	460	360
	50	54	57
13	780	440	340
	47	51	54
14	750	430	330
	43	48	52
15	730	420	320
	39	44	49
16	720	410	310
	35	41	45
17	720	410	300
	30	37	42
18	710	400	290
	25	33	39
19	710	400	280
	18	28	35
20	710	400	280
	19.92 RAD @0 deg	22	30
21		400	270
		12	25
22		410	270
		21.39 RAD @0 deg	18
23			280
			22.85 RAD @ 0 deg

NOTES	LIFTING ACCESSORIES WEIGHTS											
<ol style="list-style-type: none"> Designed to meet ASI418.1, ASI418.5 and AS3990. Area enclosed by the red double line denotes structural limitations — all other rated capacities do not exceed 66.7% of tipping loads. Lift and carry on firm level ground (<1° side slope). Load must be carried on the shortest possible boom and close to the ground. Maximum crane speed when loaded = 1.4 km/hr (0.4m/s) Weight of slings to be added to load. Lifting and mobilizing load must be done with air bags dumped. TYRES: FRONT = 1400x20x20ply inflated to 828 kPa (120psi); REAR = 1400x20x20ply inflated to 690 kPa (100psi). Maximum In-Service Wind Speed (Average): 10m/s (36km/hr) 	<p>These weights only apply to standard equipment supplied by CONSTRUCT ENGINEERING.</p> <ul style="list-style-type: none"> 6 Fall hook block = 166 kg 6 Fall hook block hook = 28 kg Single hook block = 42 Single hook block hook = 2 kg Install unused fly-jib = 150 kg 											
		WINCH LOAD CHART										
		<table border="1"> <thead> <tr> <th>Rope Falls</th> <th>Winch Load (Kg)</th> </tr> </thead> <tbody> <tr> <td>1</td> <td>5 000</td> </tr> <tr> <td>2</td> <td>10 000</td> </tr> <tr> <td>4</td> <td>20 000</td> </tr> <tr> <td>6</td> <td>30 000</td> </tr> </tbody> </table>	Rope Falls	Winch Load (Kg)	1	5 000	2	10 000	4	20 000	6	30 000
	Rope Falls	Winch Load (Kg)										
	1	5 000										
	2	10 000										
	4	20 000										
6	30 000											